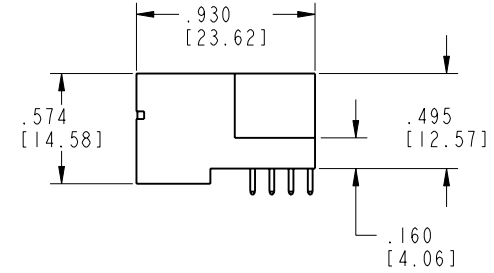
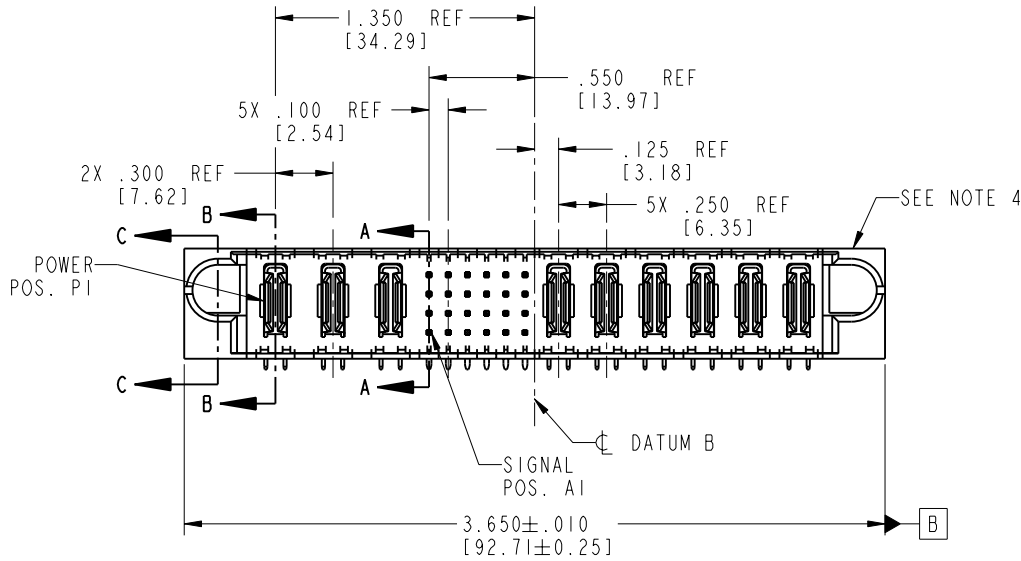


Tous droits strictement réservés. Reproduction ou communication o des liens interdite sous quelque forme que ce soit sans autorisation écrite du propriétaire. Propriété de c FCI. Droits de reproduction FCI.

All rights strictly reserved. Reproduction or issue to third parties in any form whenever is not permitted without written authority from the proprietor. Property of FCI. Copyright FCI.



PRODUCT NO.	ROWS	POWER			SIGNAL						POWER					E2								
		E1	P1	P2	P3	1	2	3	4	5	6	P4	P5	P6	P7		P8	P9						
51939-095-- NOTE: 3	D C B A		PA	PA	PA	H	H	H	H	H	H	H	H	H	H	H	H	PA	PA	PA	PA	PA	PA	



CODE	DIM "M" MATING LENGTH	CONTACT TYPE
E	.220 [5.59]	SIGNAL
F	.220 [5.59]	SIGNAL
G	.220 [5.59]	SIGNAL
H	.220 [5.59]	SIGNAL
R	.270 [6.86]	SIGNAL
PA	N/A [N/A]	POWER

mat'l code				SEE NOTE 2		tolerances unless otherwise specified		CUSTOMER		 www.fciconnect.com		
ltr	ecn no.	dr	date	linear	.XX±.01/0.X±0.3		COPY		title			
A	V03-1241	TAB	11/21/03		.XXX±.005/0.XX±0.13		projection		3ACP + 24S + 6P			
B	DG06-0014	JMG	01/16/06	angles	.XXX±.0020/0.XXX±0.051		 INCH/MM		RIGHT ANGLE SOLDER HEADER			
					0°±2°		scale		product family		code	
				dr	T. BRUNGARD	11/21/03	1:1		PwrBlade		213	
				engr	M. GRAY	11/21/03			size		sheet	
				chr	M. GRAY	11/21/03			dwg no		1 of 4	
				appd	M. GRAY	11/21/03			A		51939-095	
sheet index	revision sheet	B	B	B	B	B						
		1	2	3	4							

1 | 2

Pro/E

3 |

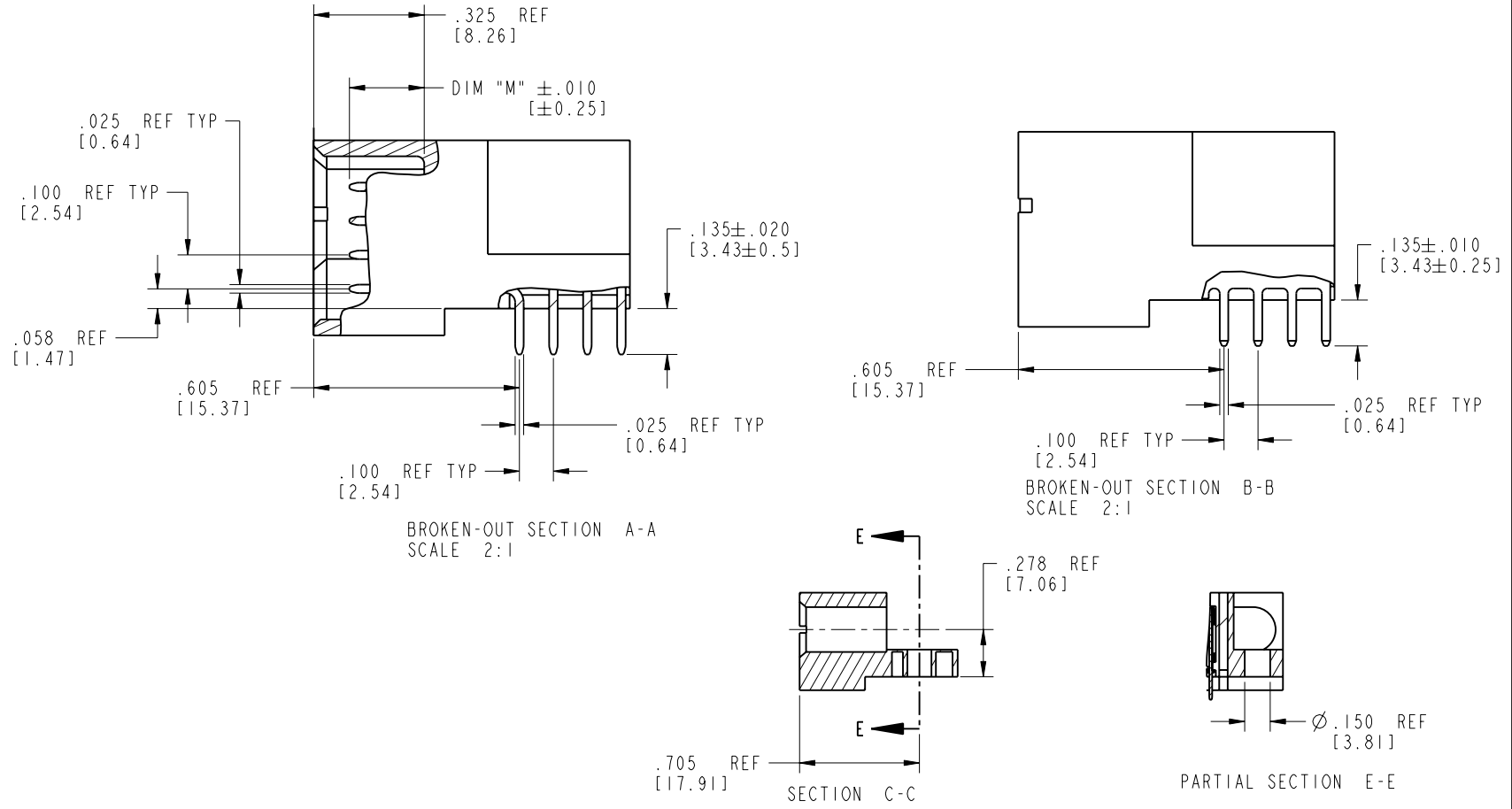
cage code 22526

4

Tous droits strictement réservés. Reproduction ou communication o des liers interdite sous quelque forme que ce soit sans autorisation écrite du propriétaire. Propriété de c FCI. Droits de reproduction FCI.

All rights strictly reserved. Reproduction or issue to third parties in any form, whatever is not permitted without written authority from the proprietor. Property of FCI. Copyright FCI.

PRODUCT NUMBER  
51939-095\_\_  
NOTE: 3



mat'l code		SEE NOTE 2		tolerances unless otherwise specified		CUSTOMER		 www.fciconnect.com	
lfr	ecn no.	dr	date	linear	.XX±.01/0.X±0.3	COPY			
B				projection	.XXX±.005/0.XX±0.13			title	3ACP + 24S + 6P
				angles	.XXX±.0020/0.XXX±0.051			product family	PwrBlade
				dr	T. BRUNGARD 11/21/03	scale		size	213
				engr	M. GRAY 11/21/03	1:1		dwg no	51939-095
				chr	M. GRAY 11/21/03			sheet	2 of 4
				appd	M. GRAY 11/21/03				
sheet index	revision sheet								

cage code 22526

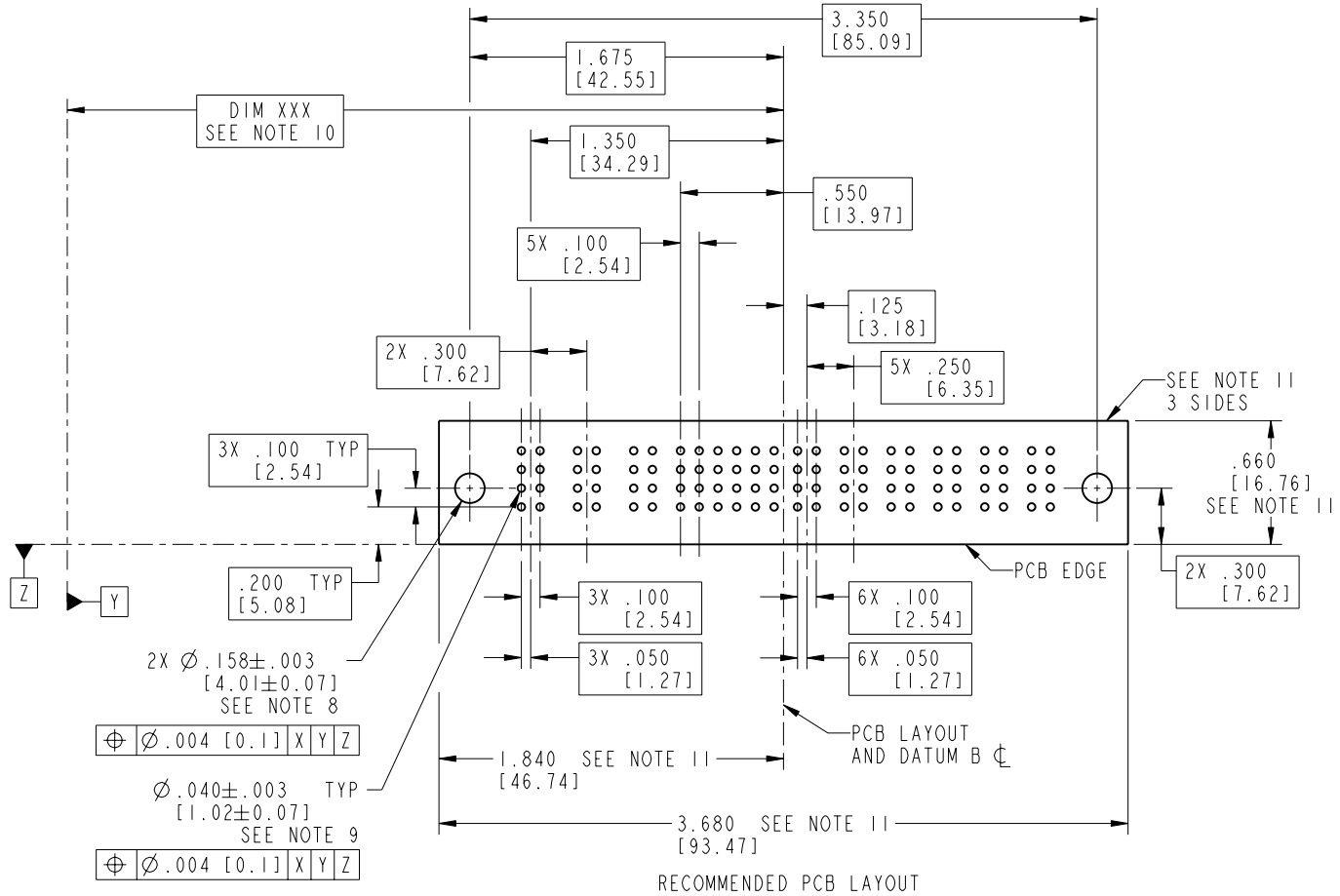
Pro/E

Tous droits strictement réservés. Reproduction ou communication o des liens interdite sous quelque forme que ce soit sans autorisation écrite du propriétaire. Propriété de c FCI. Droits de reproduction FCI.

**FCI**

All rights strictly reserved. Reproduction or issue to third parties in any form, whenever is not permitted without written authority from the proprietor. Property of FCI. Copyright FCI.

PRODUCT NUMBER  
51939-095\_\_  
NOTE: 3



mat'l code				SEE NOTE 2		tolerances unless otherwise specified		CUSTOMER		<b>FCI</b> www.fciconnect.com	
lfr	ecn no.	dr	date	linear	.XX±.01/0.X±0.3	projection	COPY		title 3ACP + 24S + 6P		
B				angles	.XXX±.005/0.XXX±0.13		RIGHT ANGLE		SOLDER HEADER		
				dr	.XXXX±.0020/0.XXX±0.051	INCH/MM	product family PwrBlade		code 213		
				engr	0°±2°	scale	size		sheet 3 of 4		
				chr	T. BRUNGARD 11/21/03	1:1	dwg no		51939-095		
				appd	M. GRAY 11/21/03		A				
					M. GRAY 11/21/03						
sheet index	revision sheet										

cage code 22526

Pro/E

PDM: Rev:B

STATUS: Released

Printed: Aug 14, 2007

Tous droits strictement reserves. Reproduction ou communication o des liers interdite sous quelque forme que ce soit sans autorisation ecrite du proprietaire. Propriete de c FCI. Droits de reproduction FCI.



All rights strictly reserved. Reproduction or issue to third parties in any form, whatever is not permitted without written authority from the proprietor. Property of FCI. Copyright FCI.

PRODUCT NUMBER  
51939-095\_\_  
NOTE: 3

NOTES:

1. DIMENSIONS AND TOLERANCES ARE IN ACCORDANCE WITH ASME Y14.5M, 1994 UNLESS OTHERWISE SPECIFIED.

CONNECTOR NOTES:

- 2. HOUSING MATERIAL: UL 94 V-0 GLASS FILLED  
HIGH-TEMP THERMOPLASTIC  
POWER CONTACT MATERIAL: COPPER ALLOY  
SIGNAL PIN MATERIAL: COPPER ALLOY
  - 3. 51939-095;51939-095LF;51939-095GLF PLATING SPEC. SEE PRINT:10064183
  - 4. MANUFACTURER'S NAME, P/N, AND DATE CODE TO APPEAR ON THIS SURFACE.
  - 5. PRODUCT SPECIFICATION GS-12-149.  
APPLICATION SPECIFICATION BUS-20-067.
  - 6. PACKAGED IN TRAYS.
- PCB NOTES:
- 7. ALL HOLE DIAMETERS ARE FINISHED HOLE SIZE.
  - 8. MOUNTING HOLES, WHERE APPLICABLE, ARE UNPLATED.
  - 9.  $\varnothing .0453 \pm .0010$  [1.151 $\pm$ 0.025] DRILLED HOLES PLATED WITH .0003 [0.008] MIN SnPb OVER .001 [0.03] TO .003 [0.08] Cu PLATING TO ACHIEVE  $\varnothing .040 \pm .003$  [1.02 $\pm$ .07] HOLE.
  - 10. "DIM XXX" TO BE DETERMINED BY THE CUSTOMER.
  - 11. CONNECTOR KEEP-OUT ZONE.

mat'l code		SEE NOTE 2		tolerances unless otherwise specified		CUSTOMER		www.fciconnect.com	
lfr	ecm no.	dr	date	linear	.XX±.01/0.X±0.3	COPY			
B				projection	.XXX±.005/0.XX±0.13			title 3ACP + 24S + 6P RIGHT ANGLE SOLDER HEADER	
				angles	.XXX±.0020/0.XXX±0.051 0°±?			product family PwrBlade code 213	
				dr	T. BRUNGARD 11/21/03	INCH/MM		size dwg no	
				enrg	M. GRAY 11/21/03	scale 1:1		A 51939-095 sheet 4 of 4	
				chr	M. GRAY 11/21/03				
				appd	M. GRAY 11/21/03				
sheet index	revision sheet								

cage code 22526

Pro/E

PDM: Rev:B

STATUS: Released

Printed: Aug 14, 2007